

KEY FEATURES

- Loaded with a single EVX180B for maximum power-handling
- Enclosure constructed of 13-Ply void-free Birch

QRx-118S

Subwoofer Loudspeaker System



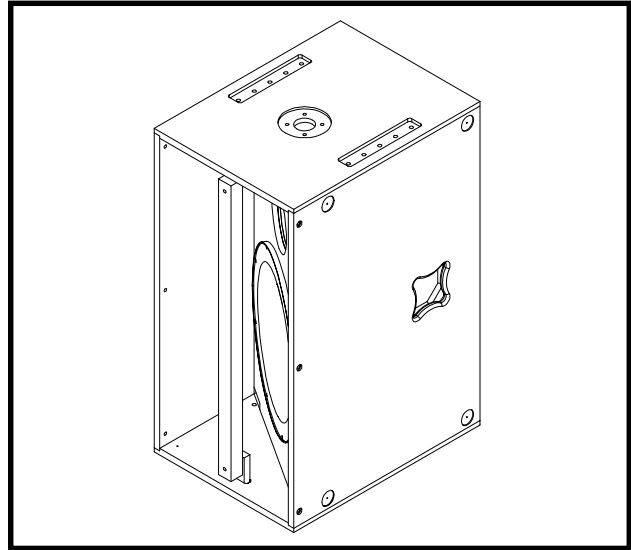
General Product Description

The QRx-118S is a dedicated subwoofer loudspeaker system that incorporates the EVX-180B 4-inch voice coil driver for maximum LF reproduction power with minimum box volume. This vented, 600-watt system easily provides 126 dB SPL 1 w/1 m (132 dB peaks 1 w/1 m) at full power in a rectangular enclosure that is stable and readily stacks for extra energy or slides easily under even the lowest stages. The QRx-118S cabinet has recessed side safety handles for ease of transport and includes 1-3/8-inch pole mount receptacle for use with full range cabinets without the need for extra mounting stands. The rear of the cabinet includes four 5/16-18 threaded T-nuts for affixing casters or dollies.

Architects' and Engineers' Specifications

The dedicated subwoofer loudspeaker system shall incorporate one 18-inch transducer with a 4-inch voice coil and cast aluminum basket in a vented enclosure tuned for optimum low frequency extension. The input panel shall have two paralleled NL4 connectors.

Usable system frequency response shall be 38 Hz to 250 Hz measured on axis. The loudspeaker shall be capable of producing a sound pressure level (SPL) of 98 dB on axis at 1 meter with a power input of 1 watt. It shall be capable of sustaining a full power, long term average output of 126 dB on axis at 1 meter with instantaneous peaks of 132 dB. The subwoofer shall handle 600 watts of amplified power long term in compliance with AES-EIA standards and have a nominal impedance of 8 ohms.



The loudspeaker enclosure shall be constructed of 13-ply void-free cross-grain-laminated Birch plywood. It shall be finished in black or white acrylic paint or available unfinished. It shall be of a rectangular shape with flat sides for stacking. Handles shall be recessed within the sides of the enclosure and of such design to allow safe handling from any direction. There shall be a 1-3/8 diameter pole mounting socket located on the top of the cabinet.

The subwoofer loudspeaker system shall be the Electro-Voice model QRx-118S.

Speaker Description:

Part Number 301023-001

LF Section & Components . EVX-180B 18-inch woofer in vented enclosure

HF Section & Components N/A

System Configuration Subwoofer

Powering Configuration Active Crossover

Recommended Active High-Pass Frequency (12 dB/octave minimum) 36 Hz

Recommended Active Crossover Frequency (24 dB/octave typical) 100 Hz

Cabinet Type (shape) Rectangular

Enclosure Materials 13-ply birch plywood

Finish Black acrylic textured paint

Connectors Two Neutrik NL4

Suspension Hardware None

Grille Powder-coated perforated 16-GA steel

Options:

WHI - white textured paint

UN - unfinished

Accessories N/A

Speaker Characteristics:

Frequency Response

- 3 dB	48 Hz - 150 Hz
- 10 dB	38 Hz - 250 Hz

Axial Sensitivity

SPL, 1 Watt @ 1m, Passive	98 dB
SPL, 1 Watt @ 1m, Biamp (LF/HF)	95 dB

Impedance 8 ohms

Power Handling

Long-Term EIA	600 watts
Short-term peak	2400 watts

Calculated Maximum SPL Output

Half-space, long-term	126 dB
Half-space, peak	132 dB
Full-space, long-term	123 dB
Full-space, peak	129 dB

Nominal Coverage Angle

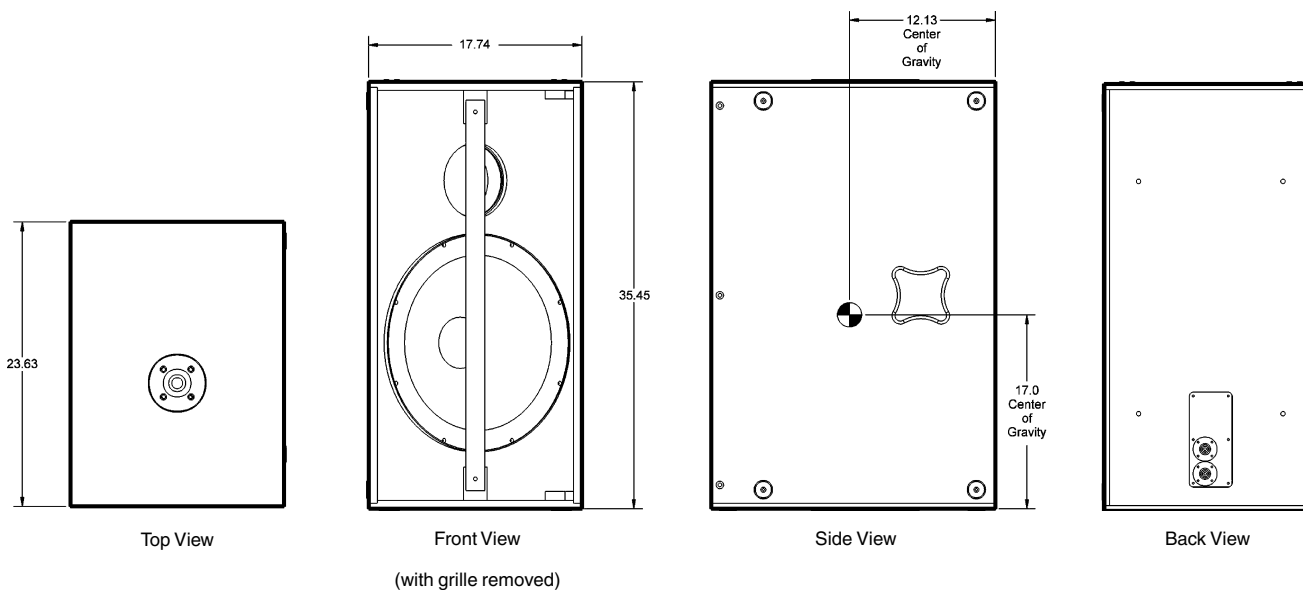
Horizontal (-6 dB)	305 Deg.
Vertical (-6 dB)	300 Deg.

Dimensions

Height	29.90 in. (759.5 mm)
Width at front	17.74 in. (450.5 mm)
Width at back	17.74 in. (450.5 mm)
Depth	26.63 in. (676.5 mm)

Weights

Net Weight	100 lb (45 kg)
Shipping Weight	109 lb (49 kg)



Dimensions

USA	12000 Portland Ave South, Burnsville, MN 55337, Phone: 952-884-0051, Fax: 952-884-0043
Canada	705 Progress Avenue, Unit 46, Scarborough, Ontario, Canada, M1H2X1, Phone: 416-431-4975, 800-881-1685, Fax: 416-431-4588
Germany	Hirschberger Ring 45, D94315, Straubing, Germany, Phone: +49 9421-706 0, Fax: +49 9421-706 287
France	Parc de Courcerin, Allee Lech Walesa, Lognes, 77185 Marne la Vallee, France, Phone: +33 1 6480-0090, Fax: +33 1 6480-4538
Australia	Unit 23, Block C, Slough Business Park, Slough Avenue, Silverwater, N.S.W. 2128, Australia, Phone: +61 2-9648-3455, Fax: +61 2-9648-5585
Hong Kong	Unit E & F, 21/F, Luk Hop Industrial Bldg., 8 Luk Hop St., San PO Kong, Kowloon, Hong Kong, Phone: +852-2351-3628, Fax: +852-2351-3329
Japan	5-3-8 Funabashi, Setagaya-ku, Tokyo, 156-0055 Japan, Phone: +81 3-5316-5020, Fax: +81 3-5316-5031
Singapore	3015A Ubi Rd 1, 05-10, Kampong Ubi Industrial Estate, Singapore 408705, Phone: +65-746-8760, Fax: +65-746-1206
Mexico	Av. Parque Chapultepec #66-201, Col. El Parque Edo. De Mexico 53390, Mexico, Phone: +52 5358-5434, Fax: +52 5358-5588
UK	4, The Willows Centre, Willow Lane, Mitcham, Surrey CR4 4NX, UK, Phone: +44 181 640 9600, Fax: +44 181 646 7084
Africa, Mid-East	Hirschberger Ring 45, D94315, Straubing, Germany, Phone: +49 9421-706 0, Fax: 49 9421-706 287
Latin America	12000 Portland Ave South, Burnsville, MN 55337, Phone: 952-887-7491, Fax: 952-887-9212

www.electrovoice.com • Telex Communications, Inc. • www.telex.com

© Telex Communications, Inc. 7/2001
Part Number 38109-987 Rev A



Electro-Voice®

U.S.A. and Canada only.

For customer orders, contact the Customer Service department at
800/392-3497 Fax: 800/955-6831

For warranty repair or service information, contact the Service
Repair department at 800/685-2606

For technical assistance, contact Technical Support at 866/78AUDIO

Please refer to the Engineering Data Sheet for warranty information.

Specifications subject to change without notice.